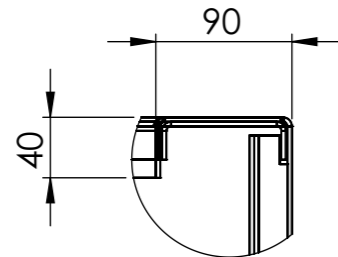
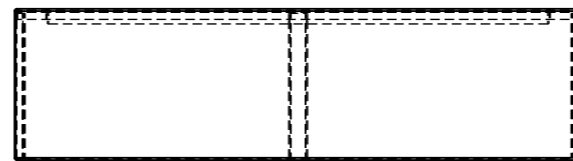
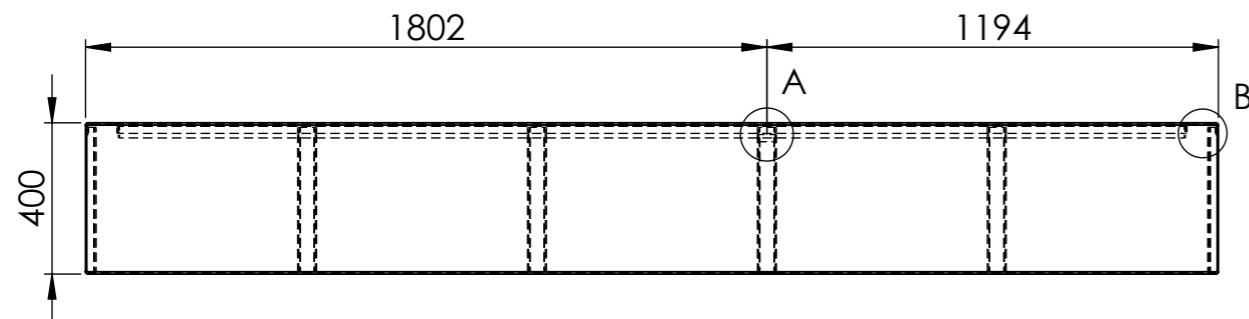
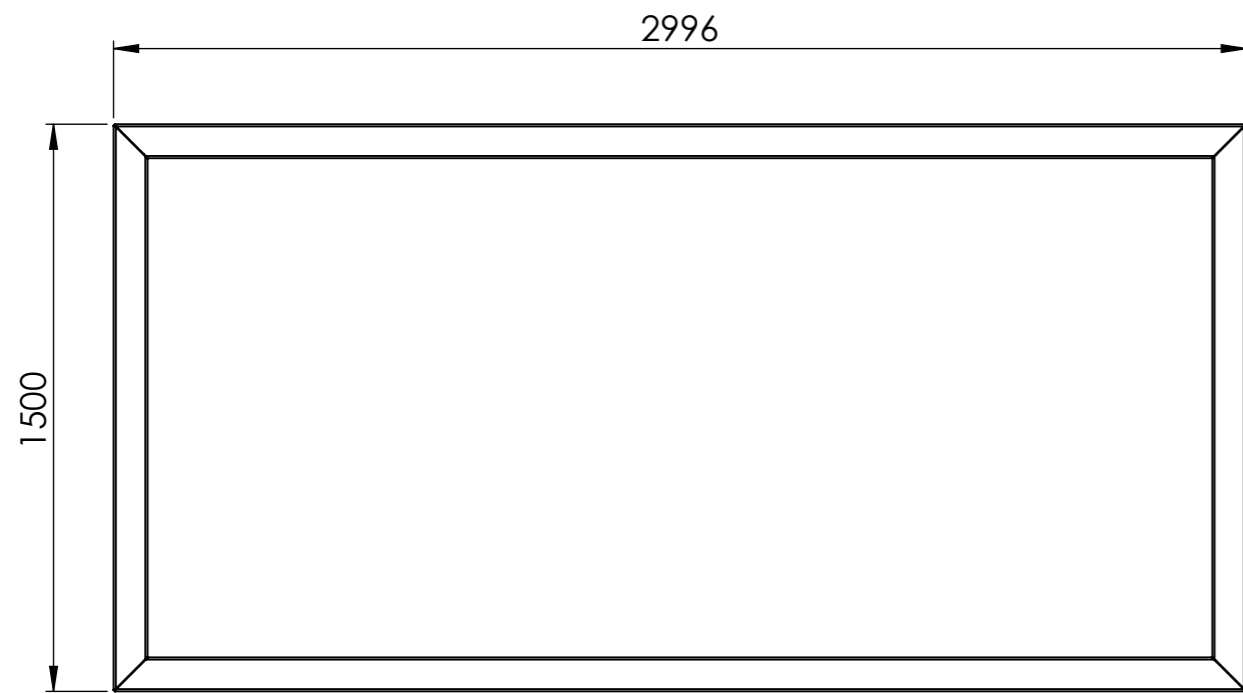
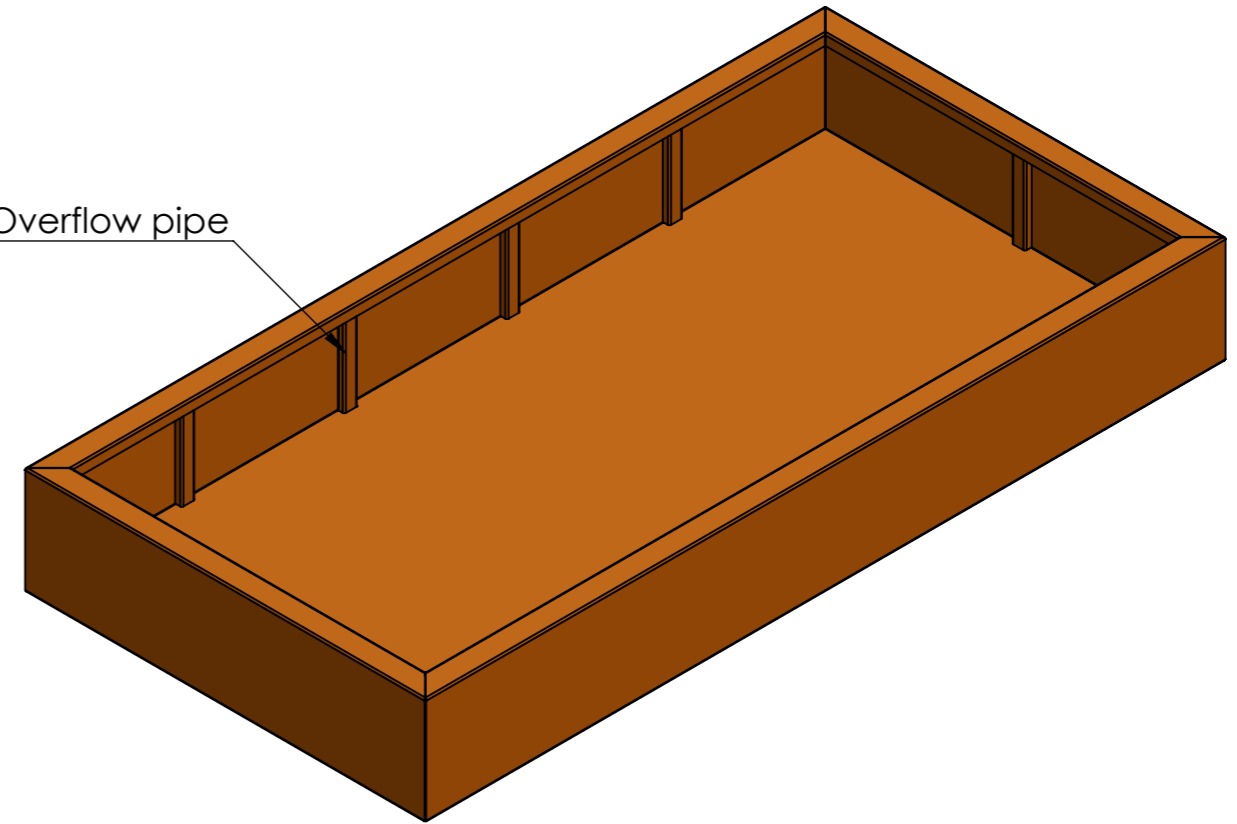


DETAIL A
SCALE 1 : 5



DETAIL B
SCALE 1 : 5

Overflow pipe



		DATE		TITLE:
DRAWN	Luuk van den Heuvel	2-2-2020		
REVISION	Bas Vlamings	5-4-2024		

ADEZZ
DESIGN TO GROW

Liessentstraat 4, 5405 AG Uden (NL).
 † 0031 (0)413 - 27 41 68.
 e info@adezz.com, i www.adezz.com

3mm Corten

Drawing.

VC5.1__

A3

Color:

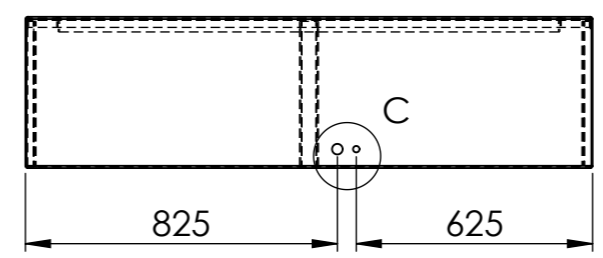
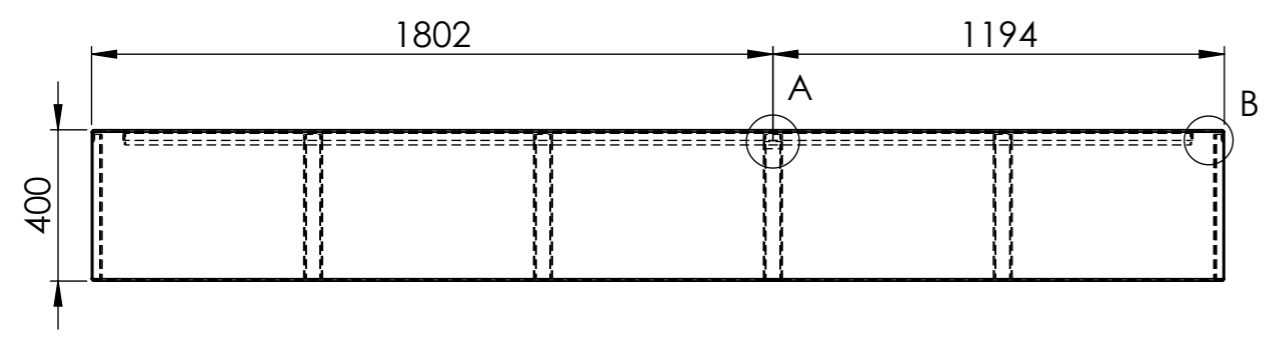
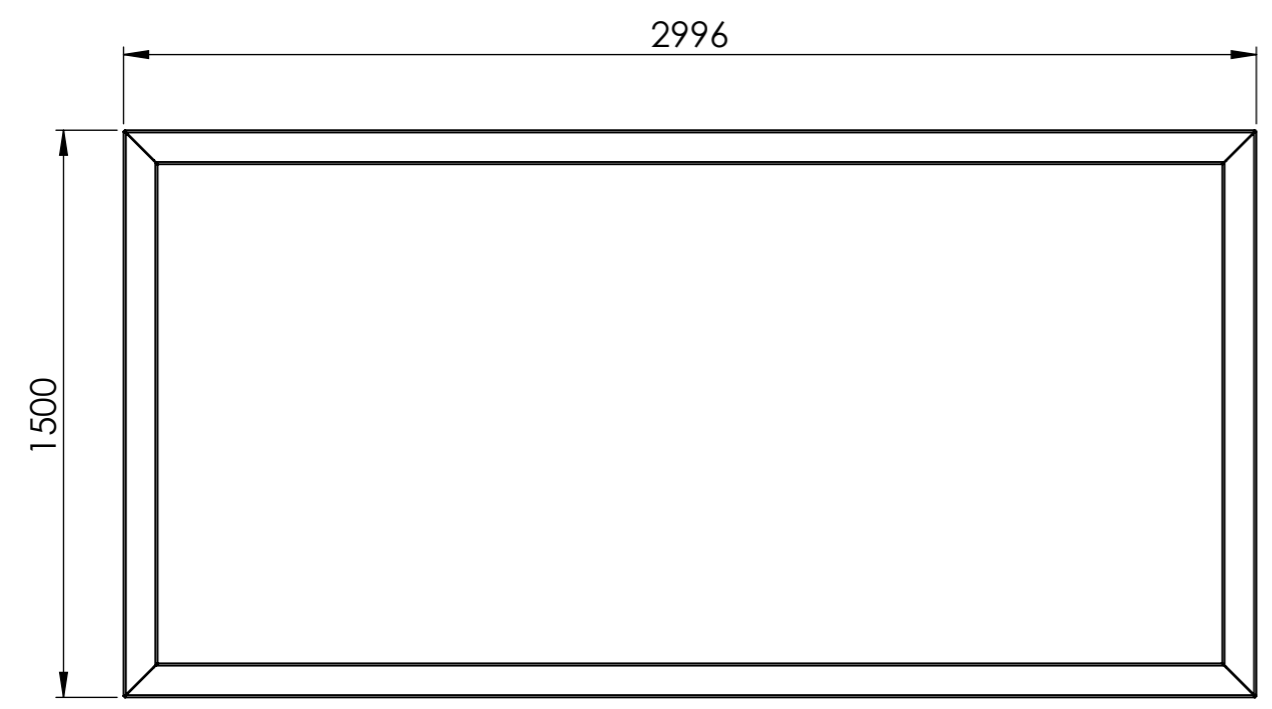
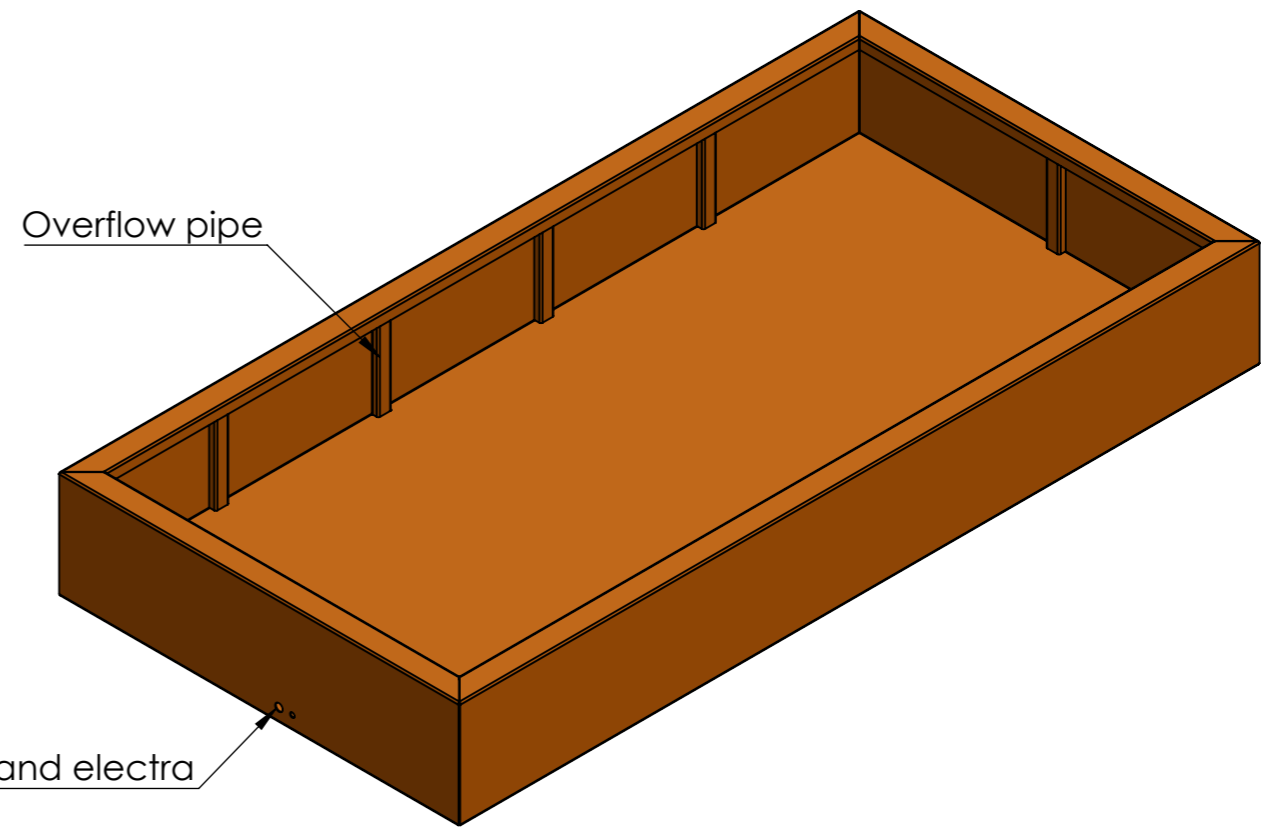
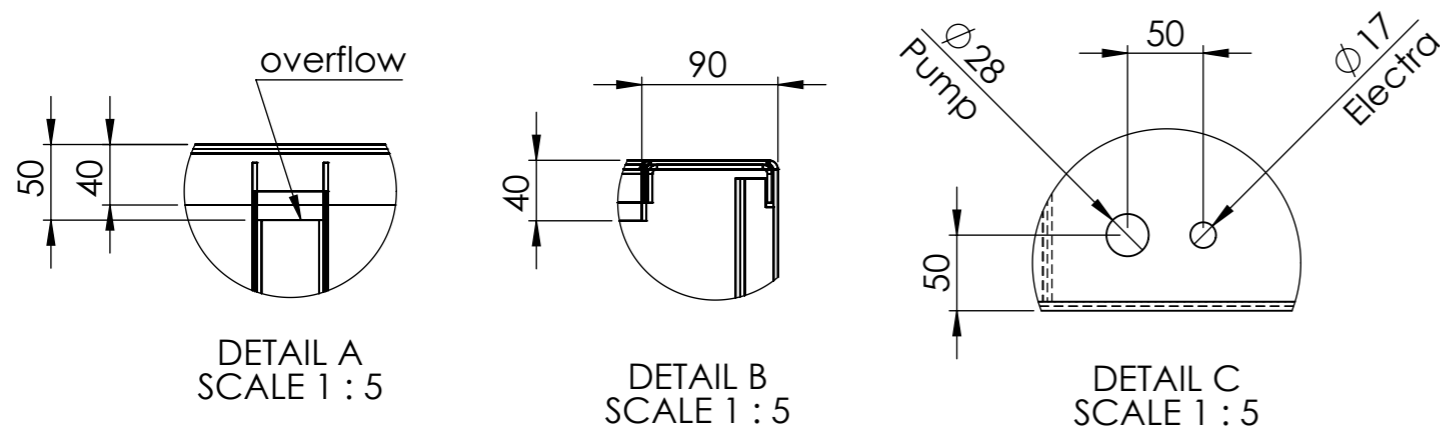
-

Mass (kg):

251,86

SCALE:1:20

SHEET 1 OF 13



		DATE		TITLE:
DRAWN	Luuk van den Heuvel	2-2-2020		
REVISION	Bas Vlamings	5-4-2024		

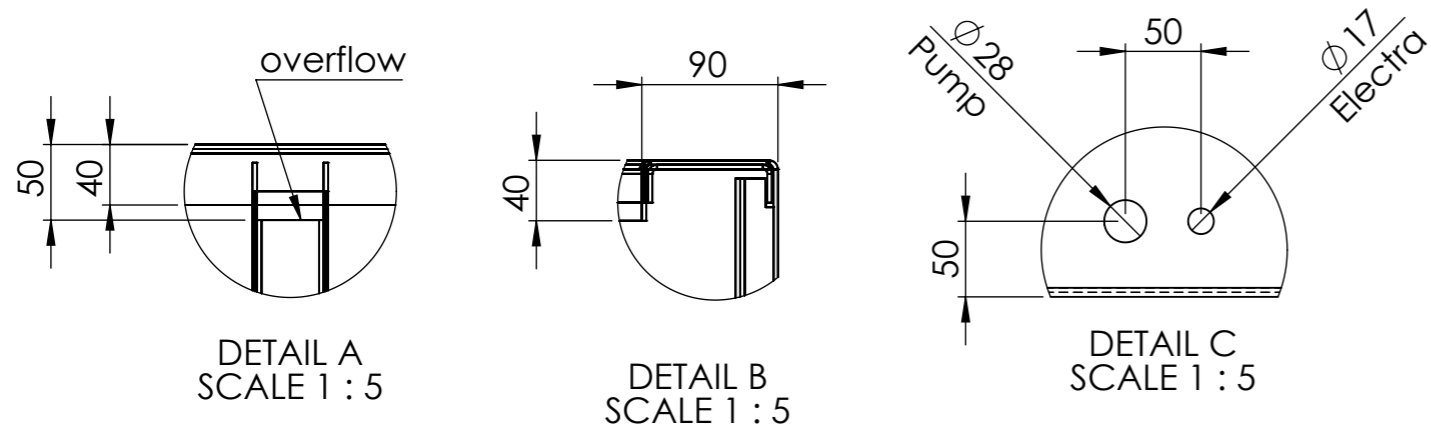
3mm Corten

ADEZZ
DESIGN TO GROW

Liessentstraat 4, 5405 AG Uden (NL).
 † 0031 (0)413 - 27 41 68.
 e info@adezz.com, i www.adezz.com

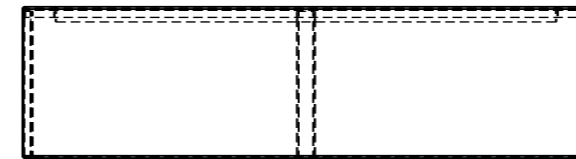
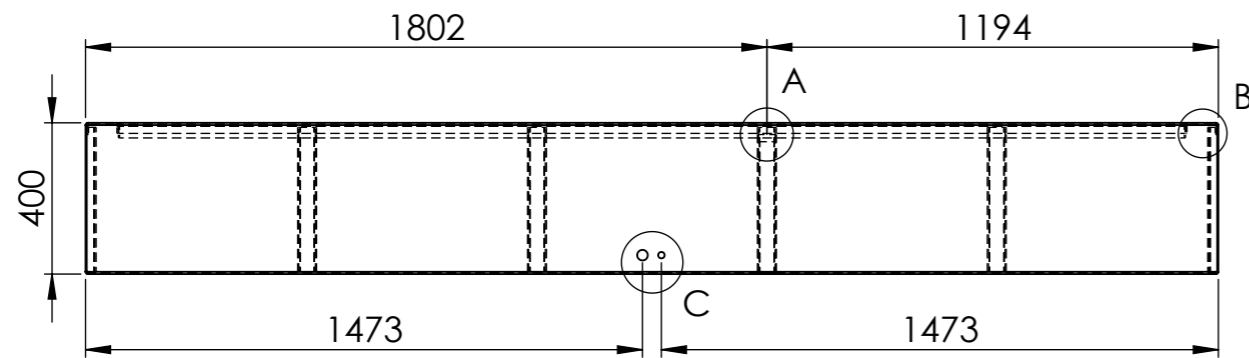
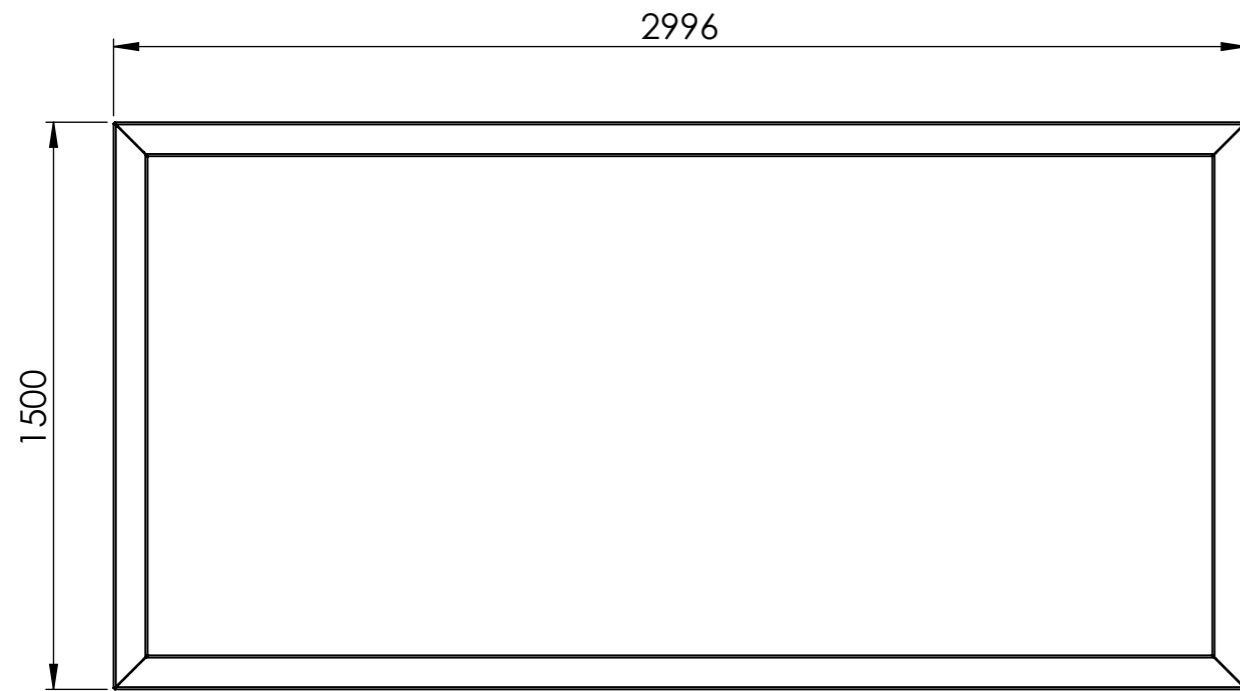
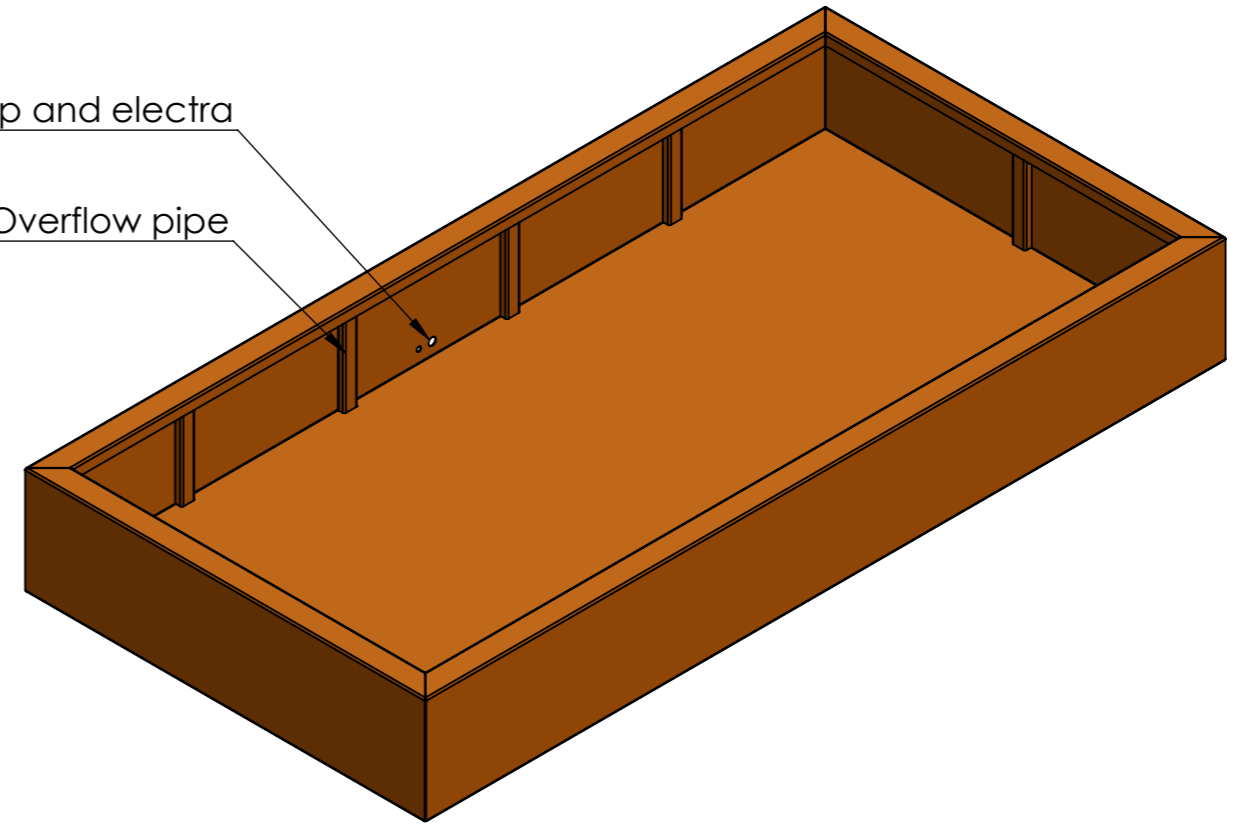
Drawing: VC5.1__

A3



Pump and electra

Overflow pipe



		DATE		TITLE:
DRAWN	Luuk van den Heuvel	2-2-2020		
REVISION	Bas Vlamings	5-4-2024		Drawing:
				VC5.1__

ADEZZ
DESIGN TO GROW

Liessentstraat 4, 5405 AG Uden (NL).
t 0031 (0)413 - 27 41 68.
e info@adezz.com, i www.adezz.com

Color: -

Mass (kg): **251,84**

SCALE:1:20

SHEET 1 OF 13

A3